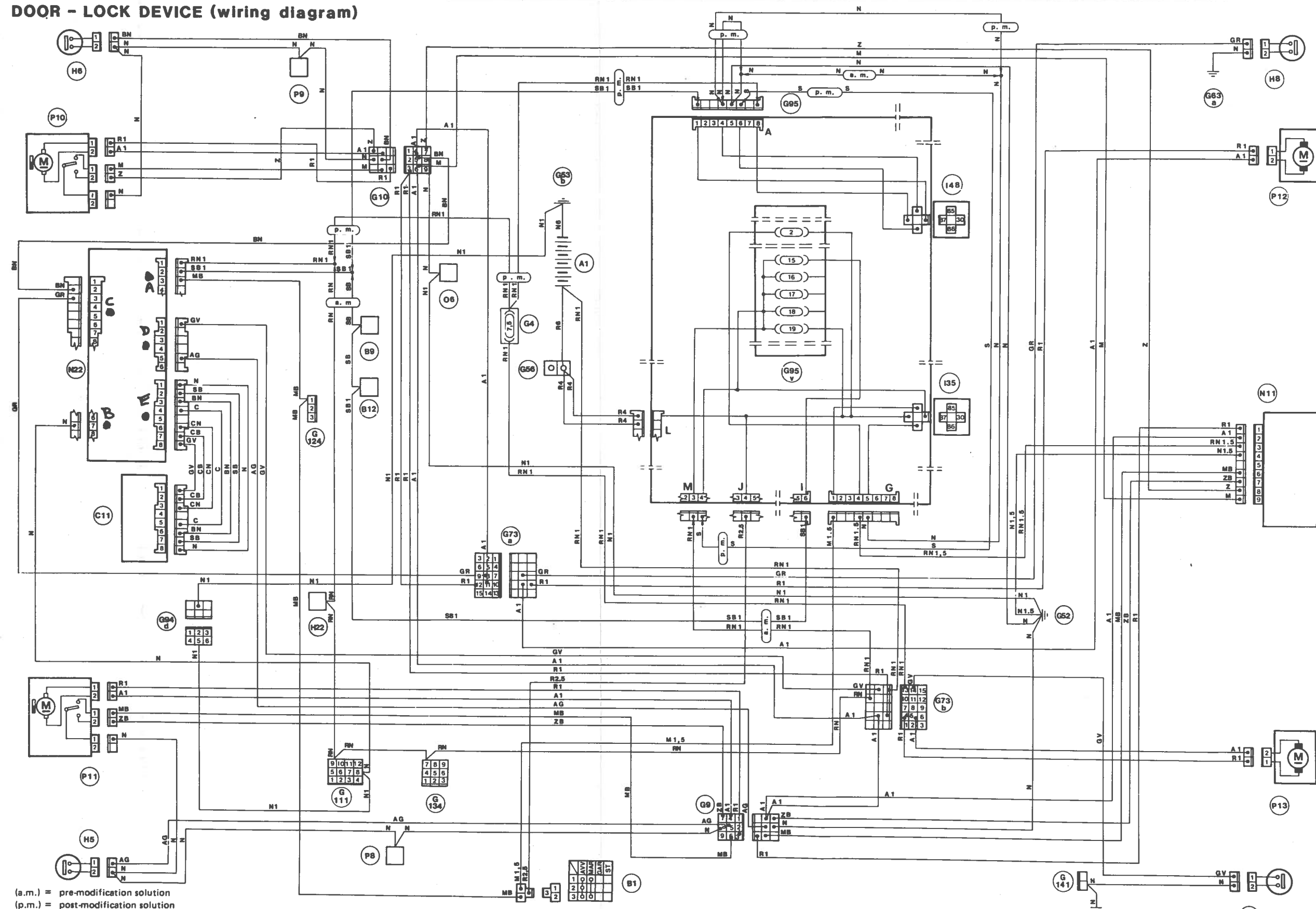


DOOR - LOCK DEVICE (wiring diagram)



(a.m.) = pre-modification solution
(p.m.) = post-modification solution